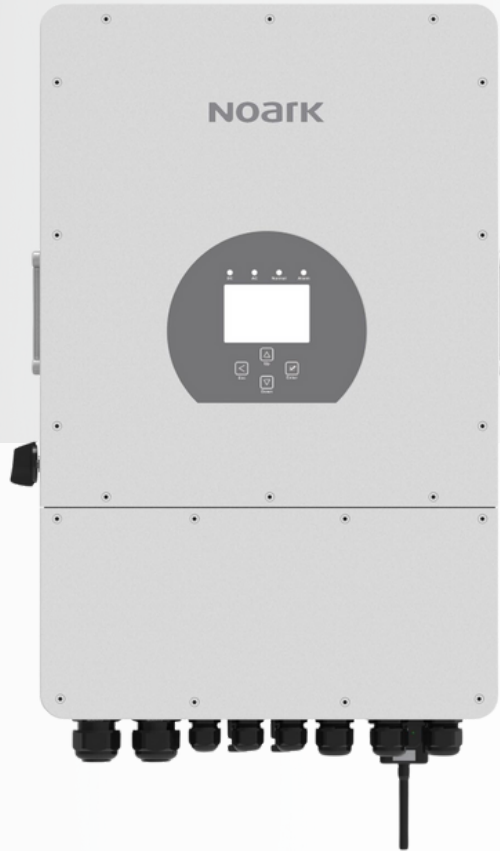


## Dual MPPT Three Phase Hybrid Inverter

5 to 12 kW



Models:

**Ex9N-DH-5KT-AU**

**Ex9N-DH-6KT-AU**

**Ex9N-DH-8KT-AU**

**Ex9N-DH-10KT-AU**

**Ex9N-DH-12KT-AU**

- ✓ Wireless configuration or via coloured LCD touch screen
- ✓ 100% unbalanced output up to 50% of rated power
- ✓ Support multiple batteries in parallel
- ✓ 6 time-of-use settings for battery charging/discharging
- ✓ Support diesel and petrol generator
- ✓ 24/7 monitoring via myNoark energy management system
- ✓ Remote upgrade and control
- ✓ Capable of load shedding

Model	Ex9N-DH-5KT-AU	Ex9N-DH-6KT-AU	Ex9N-DH-8KT-AU	Ex9N-DH-10KT-AU	Ex9N-DH-12KT-AU
<b>Battery Input</b>					
Battery Type	Lead-acid or Lithium-ion				
Battery Voltage Range	40 ~ 60 V				
Max Charging Current	120 A	150 A	190 A	210 A	240 A
Max Discharging Current	120 A	150 A	190 A	210 A	240 A
External Temperature Sensor	Yes				
Charging Curve	3 Stages / Equalization				
Charging Strategy for Li-ion Battery	Self-adaption to BMS				
<b>PV String Input</b>					
Max PV Input Power	7500 W	9000 W	12000 W	15000 W	18000 W
Max PV Input Voltage	800 V				
Start-up Voltage	160 V				
MPPT Operating Range	200V ~ 650 V				
Max PV Input Current	26 A (13 A / 13 A)			39 A (26 A / 13 A)	
Max PV Short Circuit Current	39 A (19.5 A / 19.5 A)			58.5 A (39 A / 19.5 A)	
Number of MPPT / Strings per MPPT	2 / 1			2 / 2+1	
<b>AC Output</b>					
Nominal AC Rated Power	5000 W	6000 W	8000 W	10000 W	12000 W
Max Output Power / Rated Apparent Power	5000 VA	6000 VA	8000 VA	10000 VA	12000 VA
Nominal Backup Output Power	5000 VA	6000 VA	8000 VA	10000 VA	12000 VA
Rated AC Output Current per Phase	7.2 A	8.7 A	11.6 A	14.5 A	17.4 A
Max AC Output Current per Phase	7.2 A	8.7 A	11.6 A	14.5 A	17.4 A
Max 3P Unbalanced Output Current	10.9 A	13 A	17.4 A	21.7 A	26.1 A
Max Continuous AC Passthrough	45 A				
Surge Power	200% Rated Power, 10 s				
Nominal Output Voltage / Range	Three Phase 3L/N/PE 400 V / 340 ~ 440 V, 415 V / 353~ 456.5 V (Optional)				
Rated Grid Frequency / Grid Frequency Range	50 Hz / 45 ~ 55 Hz				
Harmonic THD	< 3%				
Output Power Factor	0.8 Leading to 0.8 Lagging				
DC Injection Current	< 0.5%				
<b>Efficiency</b>					
Max Efficiency	97.6 %				
Europe Efficiency	97.0 %				
MPPT Efficiency	99.9%				
<b>Protection</b>					
Integrated	PV Input Lightning Protection, Anti-islanding Protection, PV String Input Reverse Polarity Protection, Insulation Resistor Detection, Residual Current Monitoring Unit, Output Over Current Protection, Output Shorted Protection, Surge protection				
Surge Protection	DC Type II / AC Type III				
<b>General Data</b>					
Dimensions	422W x 702H x 281D mm				
Weight	33.6 kg				
Protection Level	Class I				
Topology	Transformerless				
Internal Consumption	< 1 W (Night)				
Operating Ambient Temperature Range	-40 ~ 60 °C				
Operating Relative Humidity Range	0 ~ 100%				
Ingress Protection	IP65				
Noise Emission	≤ 30 dB				
Cooling Method	Smart Cooling				
Max Operating Altitude without Derating	2000 m				
Warranty	5 Years				
Grid Compliance	AS/NZS 4777.2:2020				
Safety EMC Standard	IEC/EN 61000-6-1/2/3/4, IEC/EN 62109-1, IEC/EN 62109-2				
Country of Manufacture	China				
<b>Interface</b>					
DC Connection Type	VP-D4B				
AC Connection Type	IP65 Rated Plug and Play Connector				
Display	LCD Display and LED Indicator				
Communication	RS485/CAN/Wifi				